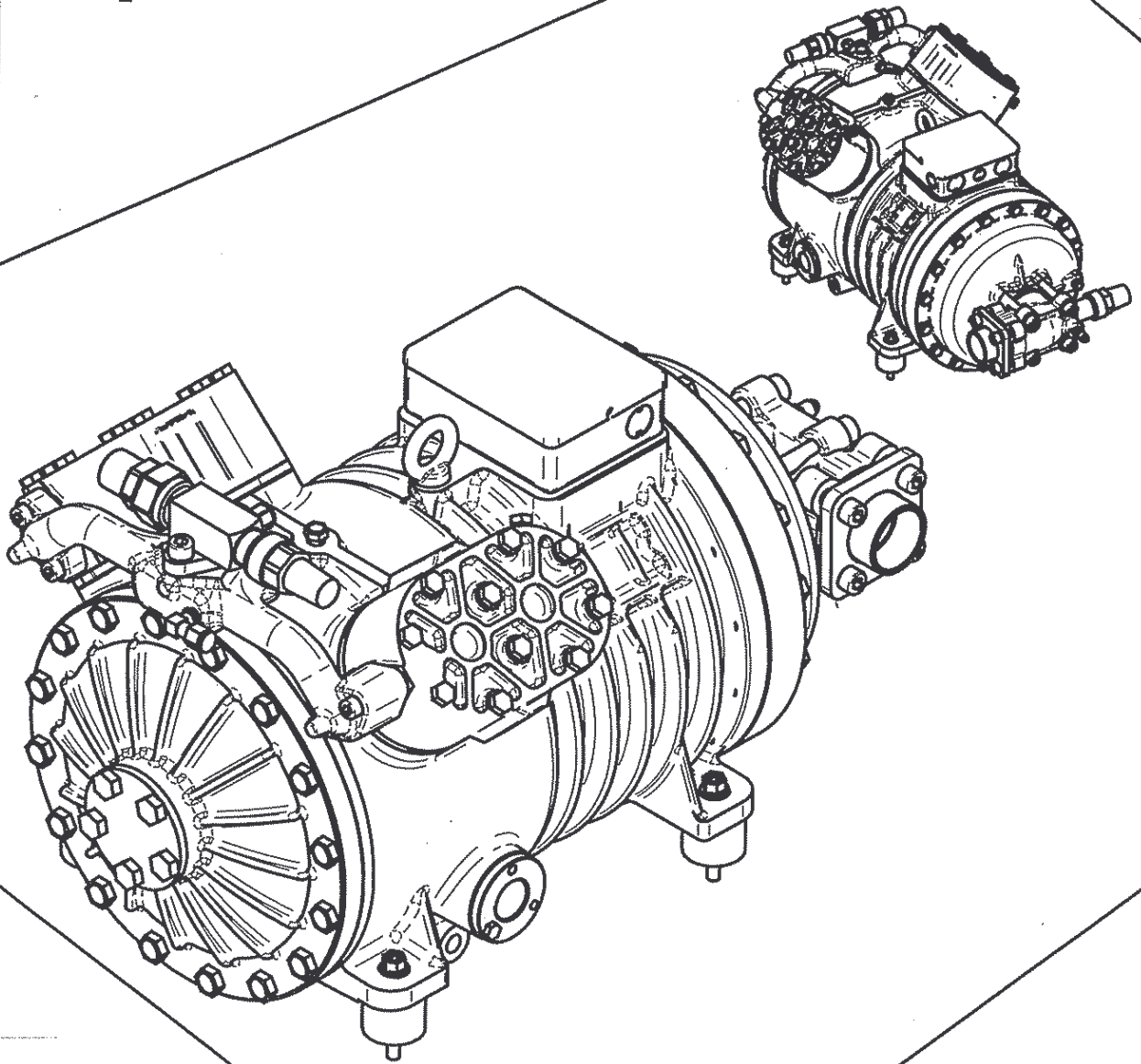


DORIN



K4

RICAMBI **Spare Parts**

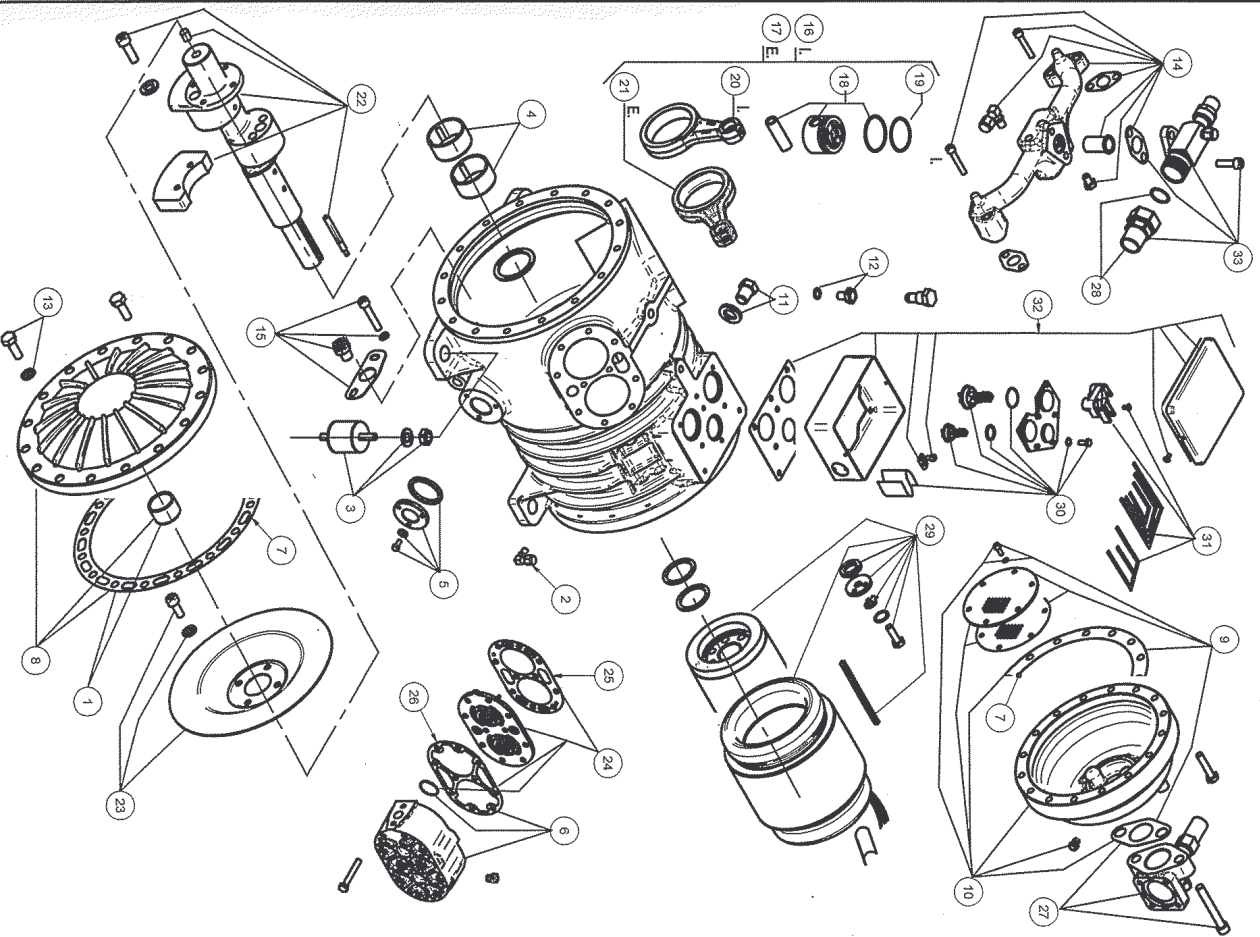




DOPRIN

MCompressor MCompressor K4

n°
ESP4COMM
Rev.



MCompressor MCompressor K4

DOPRIN

Rif.	Quantita		Codice Code	Descrizione	Description
	Quantity				
	K750CC	1	1CKB045	Bronzina Coperchio	Cover bearing
	K750CS	2	1CCED011	Pressa Man. 1/4" Sae	Pressure conn. 1/4" Sae
	K1000CC	2	1CC5020	Kit sospensioni completa	Vibration damper kit compl.
	K1000CS	1	1CCN034	Bronzina centrale	Main Bearing
	K1500CC	1	1CCQ010	Spia olio completa	Oil sight glass
	K1500CS	1	1CCS046	Testa Aria completa	Air cooled head
		2	1CGA035	Guarniz. cop. motore	Motor cover gasket
		2	1CGC045	Coperchio cilindri	Cylinder cover
		1	1CKF045	Filtro Aspirazione	Suction filter and gasket
		1	1CKFD046	Filtro Aspirazione	Suction filter and gasket
		1	1CKM045	Coperchio motore	Electrical motor cover
		1	1CKM046	Coperchio motore	Electrical motor cover
		1	1CKM047	Coperchio motore	Electrical motor cover
		1	1CKN010	Ghiera magnete+guarniz	Ring nut magnet+gasket
		1	1CKP005	Tappo scarica/carica olio	Screws for Discharge service
		1	1CKP011	Tappo scarica/carica olio	Screws for Discharge service
		1	1CKG030	Collettore scarico	Discharge manif. compl.
		1	1CKV045	Valvola ritegno olio compl.	Oil check valve compl.
		1	1MCD970	Kit Biella-Pist. int.	Intern. Conn. rod/pist.compl.
		2	1MCD971	Kit Biella-Pist. est.	Exter. Conn. rod/pist.compl.
		2	1MCD972	Kit Biella-Pist. int.	Intern. Conn. rod/pist.compl.
		2	1MCD973	Kit Biella-Pist. est.	Exter. Conn. rod/pist.compl.
		2	1MCD974	Kit Biella-Pist. int.	Intern. Conn. rod/pist.compl.
		2	1MCD975	Kit Biella-Pist. est.	Exter. Conn. rod/pist.compl.
		2	1MCE621	Pistone completo	Piston complete
		8	1MDQ191	Segmenti	Rings
		2	1MFD391	Biella Interna	Int. connecting rod
		2	1MFD392	Biella Esterna	External connecting rod
		2	1MFD411	Biella Interna	Int. connecting rod
		2	1MFD412	Biella Esterna	External connecting rod
		2	1MFD321	Biella Interna	Int. connecting rod
		2	1MFD322	Biella Esterna	External connecting rod
		1	1MKA046	Albero completo	Complete shaft
		1	1MKA045	Albero completo	Complete shaft
		1	1MKA049	Albero completo	Complete shaft
		1	1MKA048	Albero completo	Complete shaft
		1	1MKD045	Disco sbattiloio	Oil centrifugal disk
		1	1MKD046	Disco sbattiloio	Oil centrifugal disk

